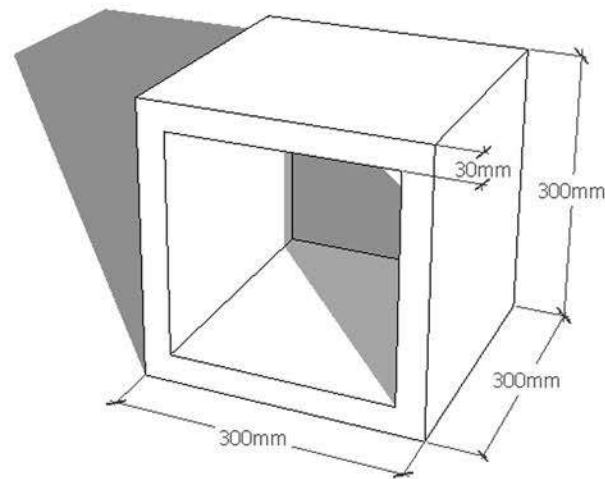
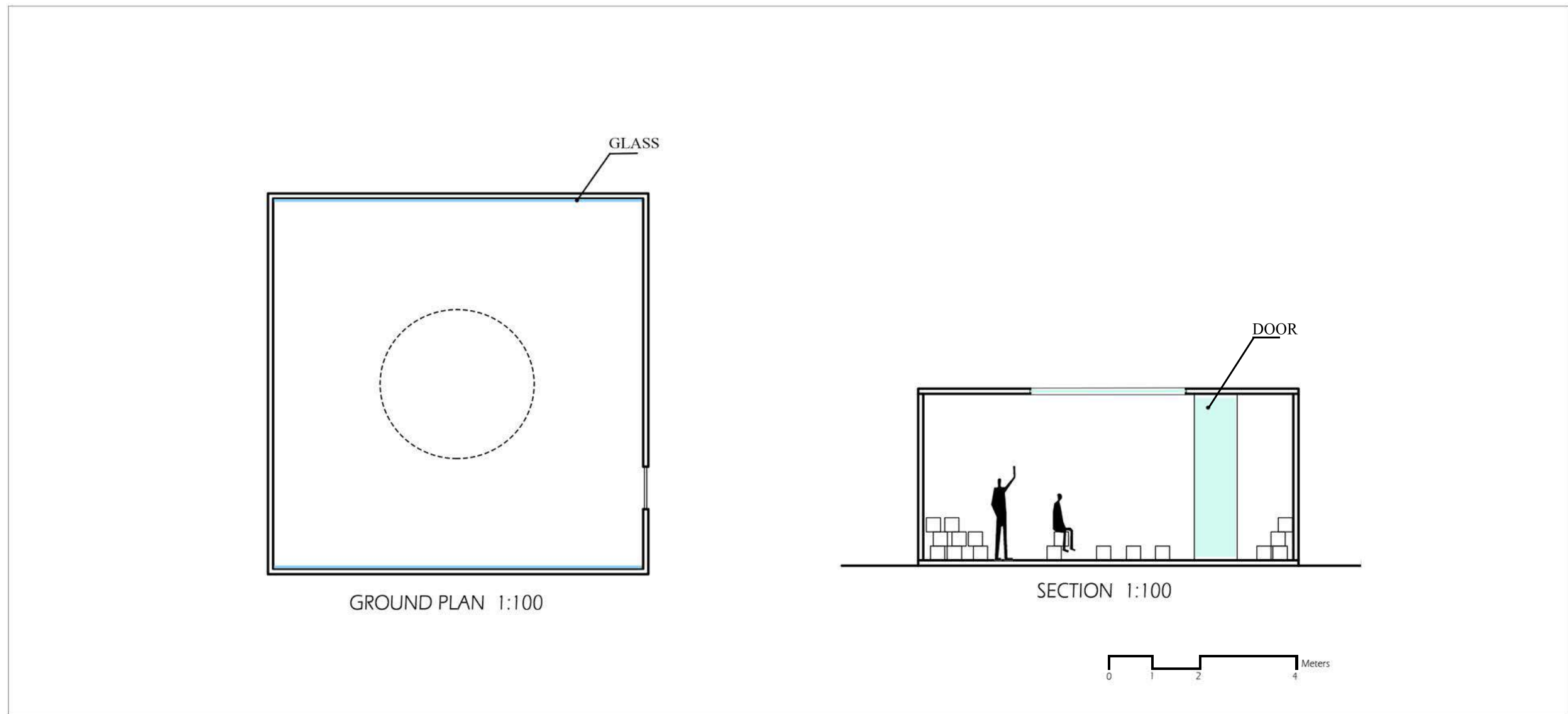




A Silent room for Communication



THE MULTIPLE FUNCTIONS BOX

Communication has evolved throughout the time, from body language, spoken words, ... to emails, instant messages. However, the more we use technology, the less physical communicative experiences we have – the nature of interaction, sharing our emotions and understanding each other.

An ideal room for communication, in our opinion, is a room in which people is the main factor. So we simplify everything that daily constrain our life, such as the Internet, technology equipment, etc. We wonder why children can easily express their emotions, question and talk to each other while the adult can't. We realize that children don't have any specific concern, they freely imagine and create things the way they want. Therefore, we put many, many boxes (300x300x300mm) – called "the multiple functions boxes" – in an 8x8m room. They can use boxes to create a table, a chair, Anything they want. A room in white, with 2 large mirrors facing one another which expand the space, highlights people in it. When there's no boundaries, and when there are just people with people, communication emerges.

A Silent room – A module for mass production.
A Silent room for Communication.