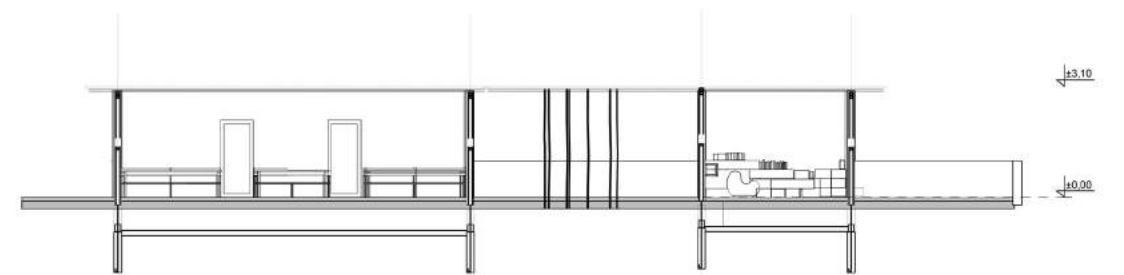
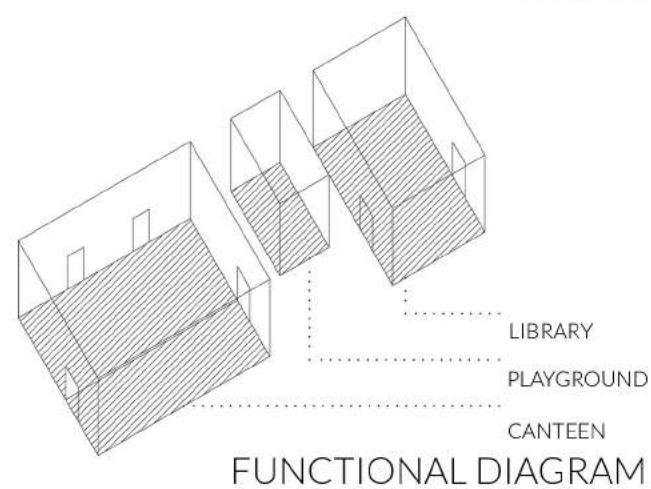
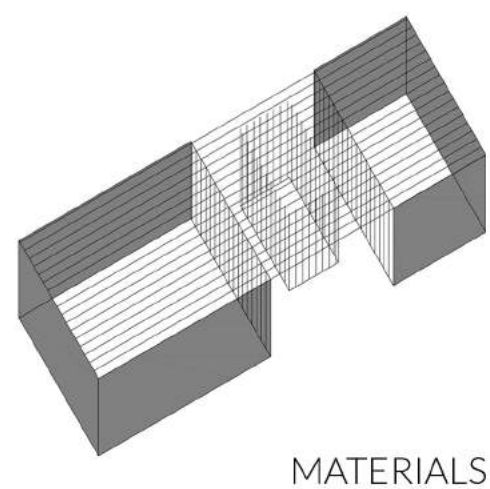
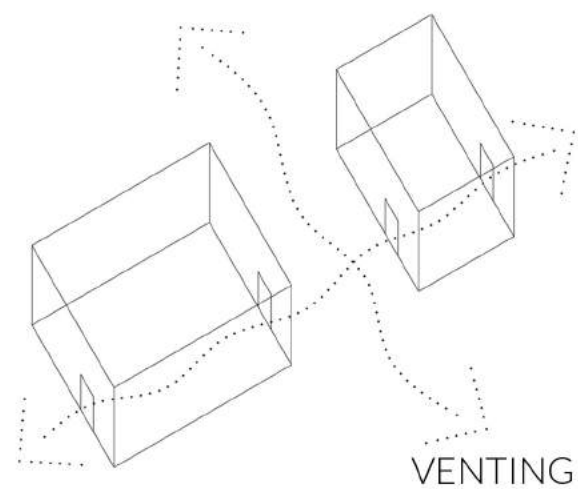
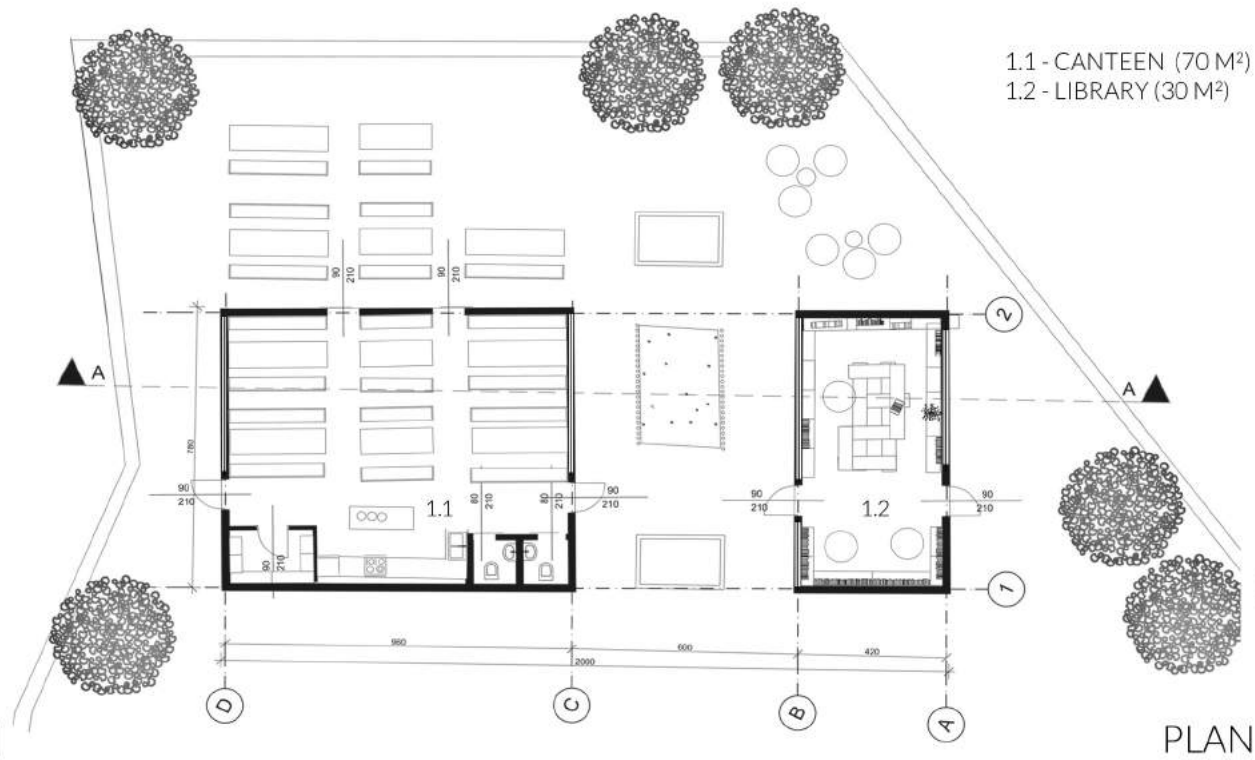
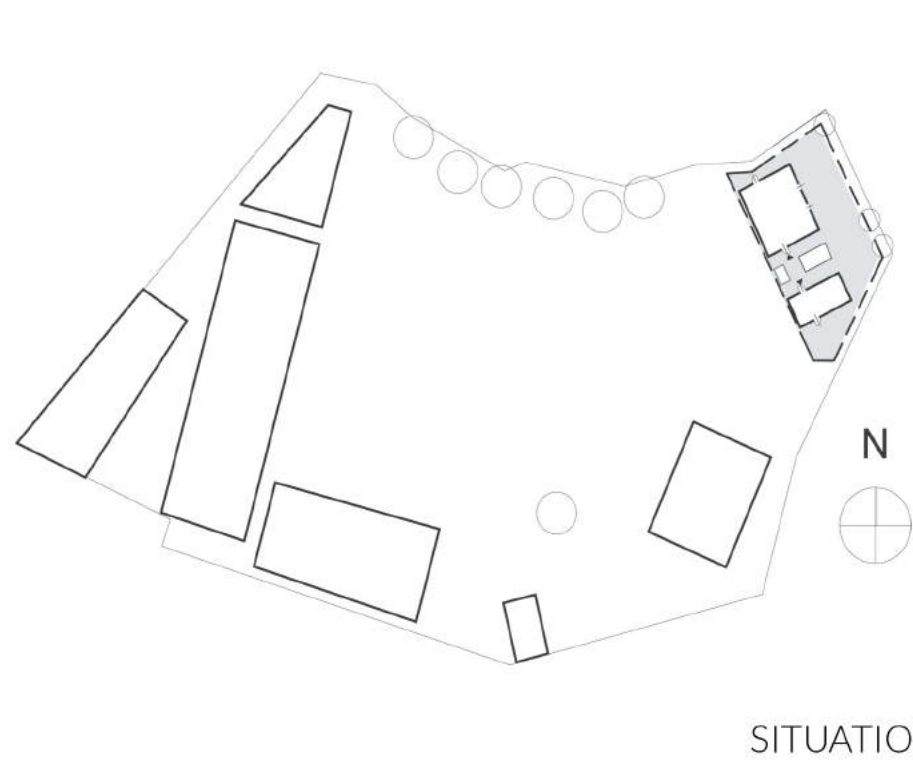


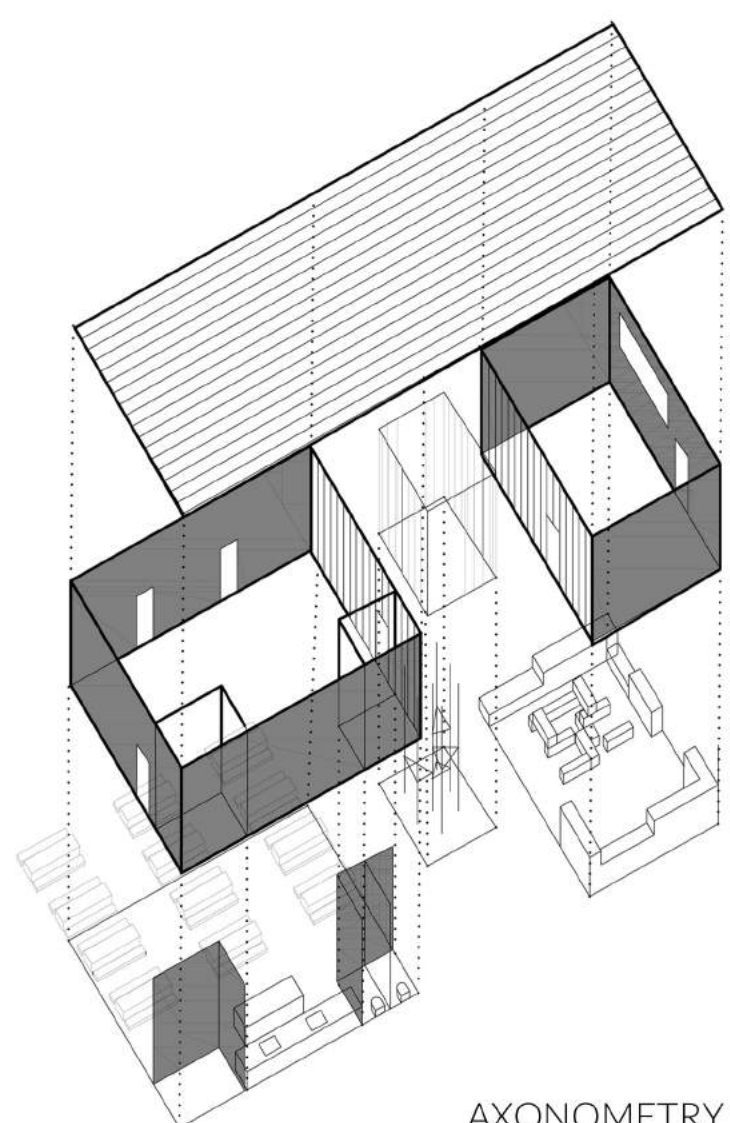


With the passage of time many minorities are becoming majorities. However ... between mountains in south China live people called Buyi who have preserved their uniqueness. We tried to create building which will accommodate their extraordinary culture and will shape young generations.

The biggest advantage of this project is that it's cheap, but also respects the tradition. A Raw material we've found best for the framework is bamboo. The construction is durable in answer to seismic danger in the region. Walls are filled with demolished building structures. The building is climate responsible. Orientation maximizes natural ventilation by winds and minimizes sun radiation impact. By the shape we fit into the context of the school complex. It also allows you to enjoy the view.

The space is designed for kids. The library structure inspired by "yenga" game is perfect place for shared books reading. It allows to meet the rich folk literature and alphabet learning. On the wall we suggested a mural illustrating the buyish tale "The tiger and the frog". On the outside we make a playground made with bamboo and net. The canteen is designed not only with functionality code but also is due to feng shui - most principle in Buyi design. In kitchen we tried to make most efficient layout also with place for "zengazi" cooker.

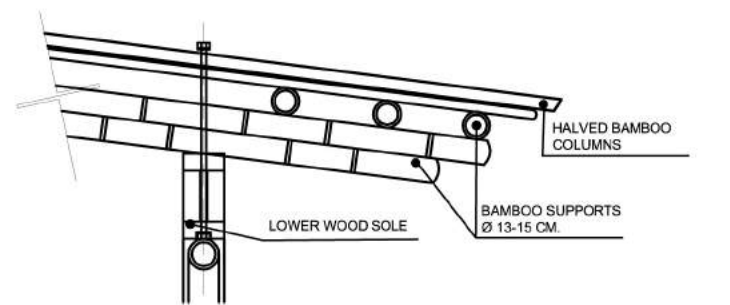




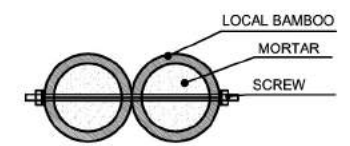
AXONOMETRY

- 1. Bamboo Construction**
Raw material source: local bamboo plantation
Applications: supporting structure
one unit cost: <150 CNY
diameter: 13 cm
height: 300cm
No. of unit: 50
total cost ~ 7 500 CNY
- 2. Bamboo Corrugated Roofing Sheet**
Raw material source: Bamboo grass
Materials for production: Bamboo
cost: 20 000 CNY
- 2. Recycled materials fills**
Raw material source: demolition of existing structures, surrounding rocks
cost: low
*difficult in the assessment
estimate: 10 000 CNY
- Bamboo walls**
cost: 12 000 CNY
- isolation:** 17310m2
cost ~ 8 000 CNY
- 4. Plantation bamboo Doors**
No. of units: 9
cost ~ 8 000 CNY
- 6. Concrete flooring**
Cost per unit : R\$.45000
length: 5880cm
width: 20cm
depth:

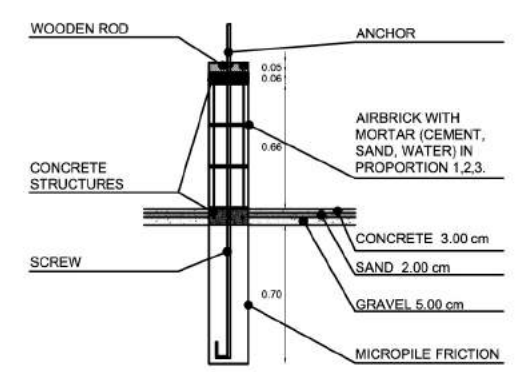
ESTIMATE



DETAIL OF ROOF



DETAIL OF WALL UNIONS



DETAIL OF FOUNDATIONS



FRONT ELEVATION