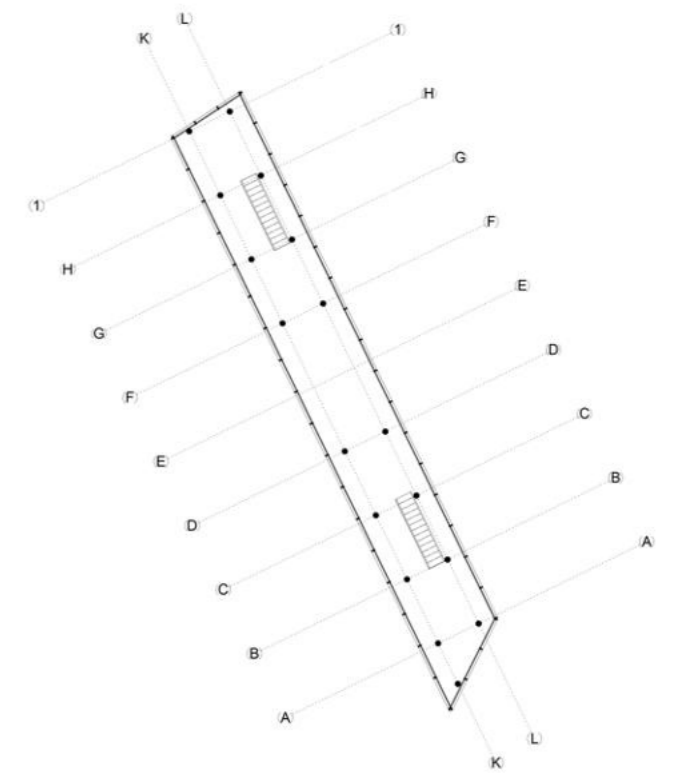
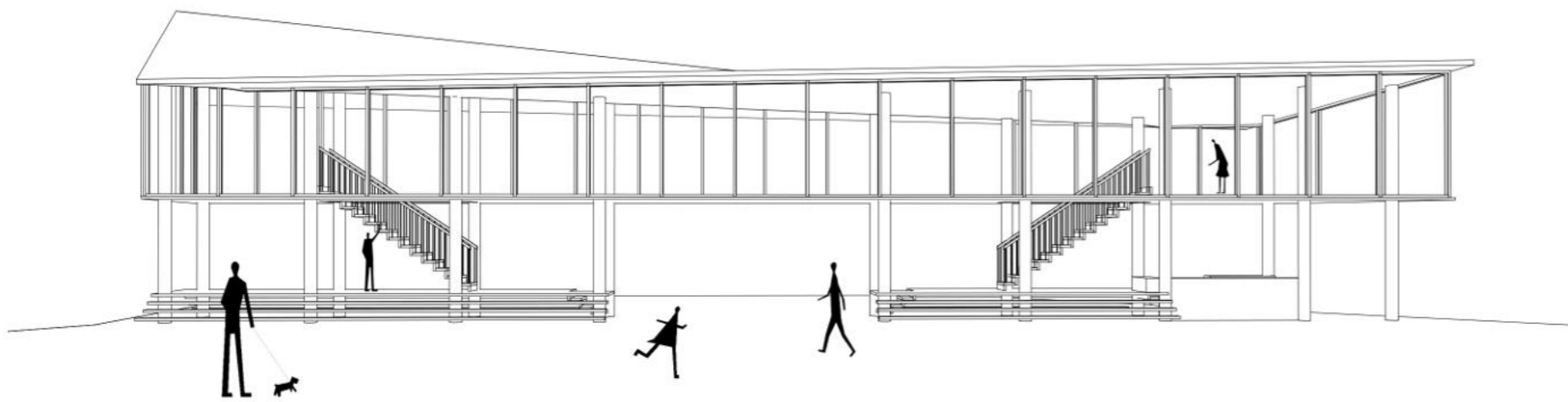


GROUND FLOOR



FIRST FLOOR

1M 5M





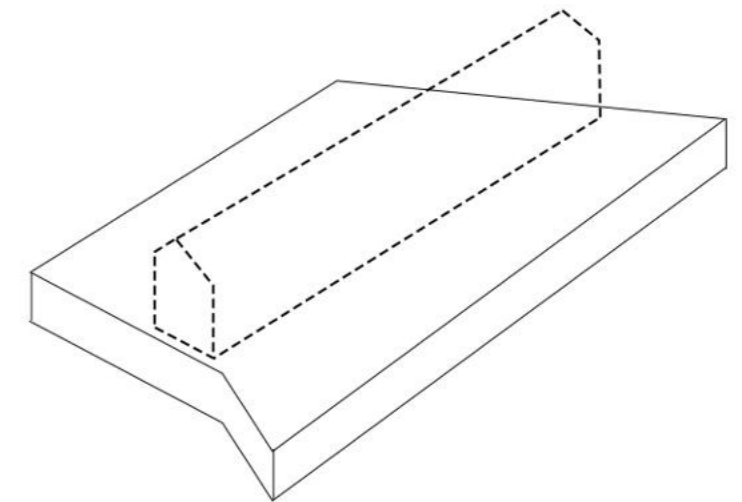
# THE GATE

From two thousand years of history, the Buyi has a very strong relationship with the nature. From culture, religious, architecture, to the every life such as diet, costume, music,... everything is linked to mother earth.

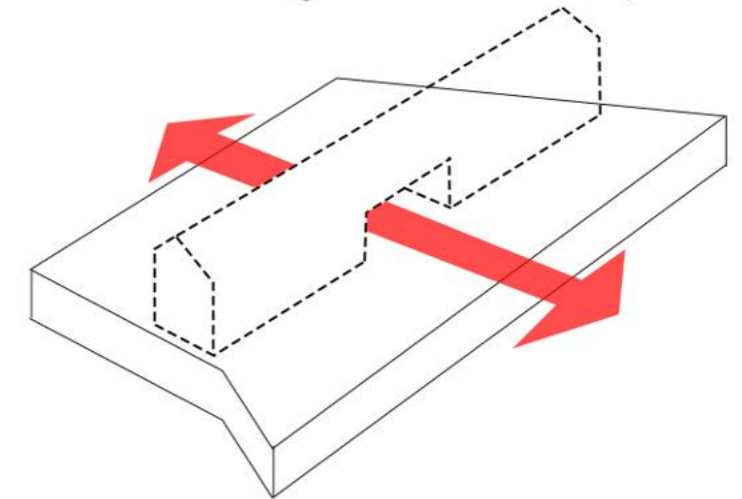
About designing a canteen and library building, **we don't want to make a wall between human and nature.**

To build a mass at the edge of the school courtyard seems to separate children from where they were born.

Our proposal is



to make the building invisible to the eyes,



then becomes a gate, which opens a perspective of beautiful valley behind, connects the inside & the outside, the interior & the exterior.