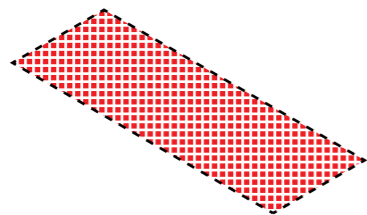
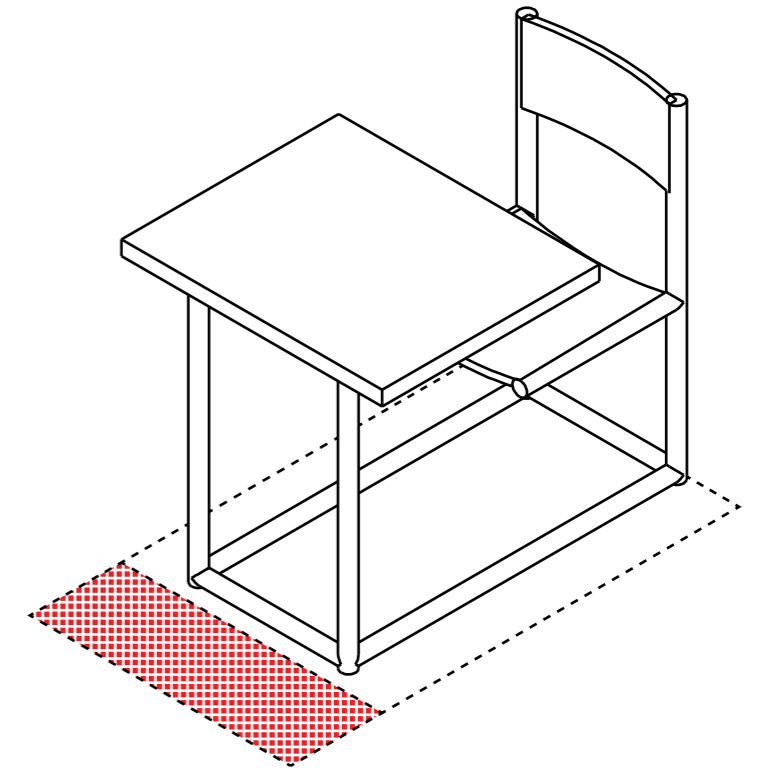
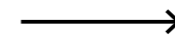
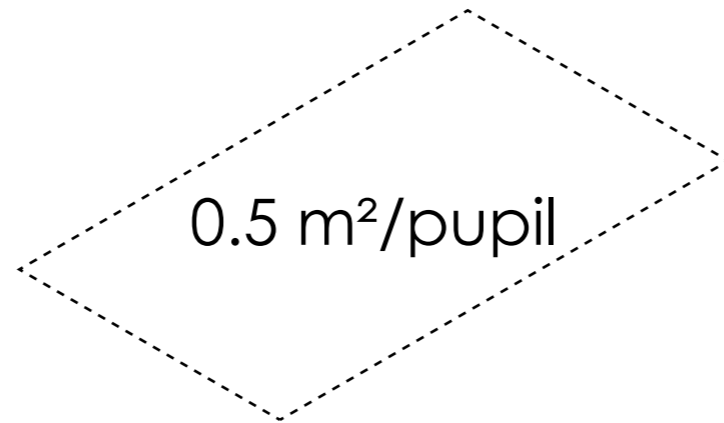


100 m²
200 pupils



x 200 = 10 m² library bookshelves + 10 m² canteen kitchen

