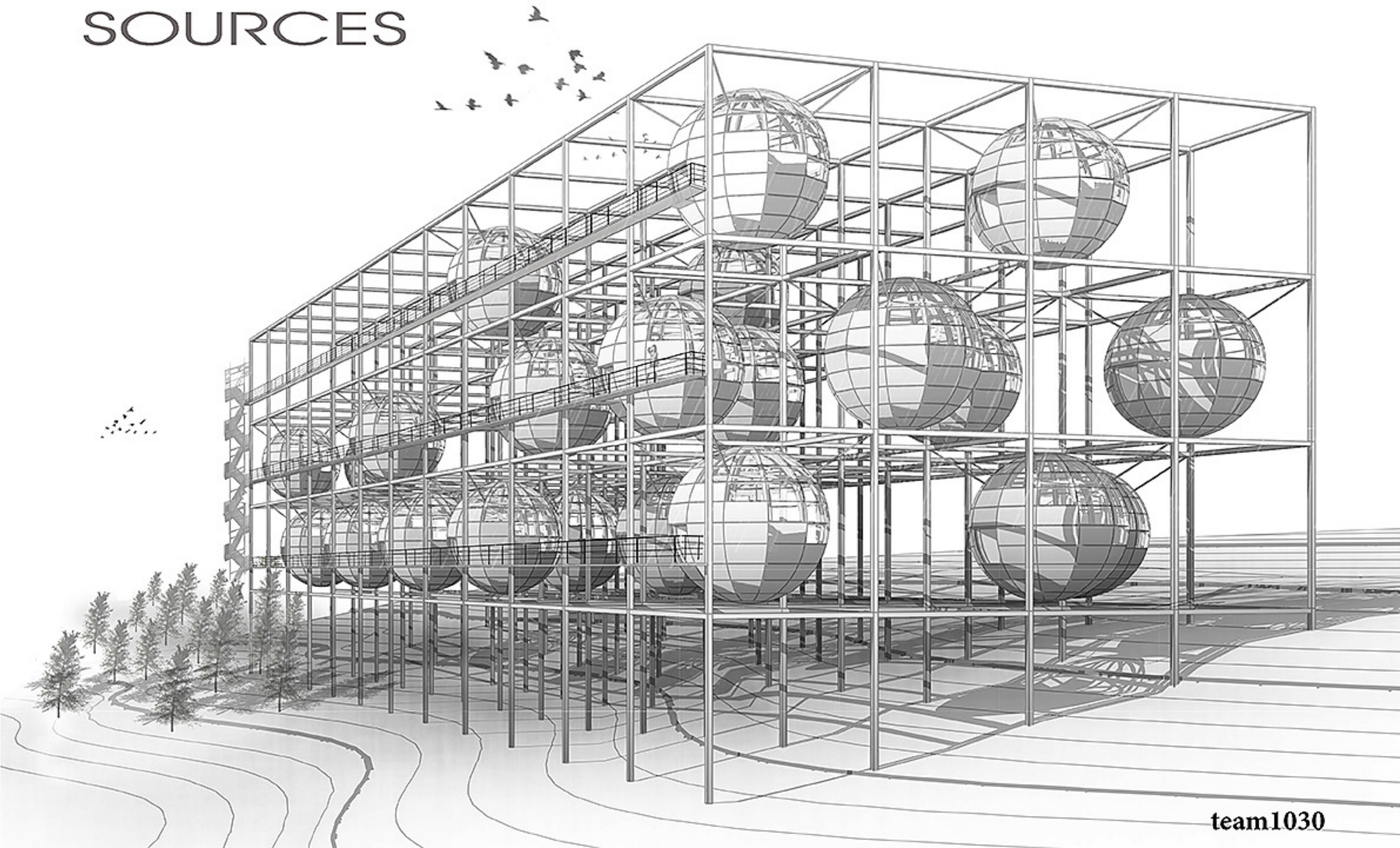


BACK TO SOURCES

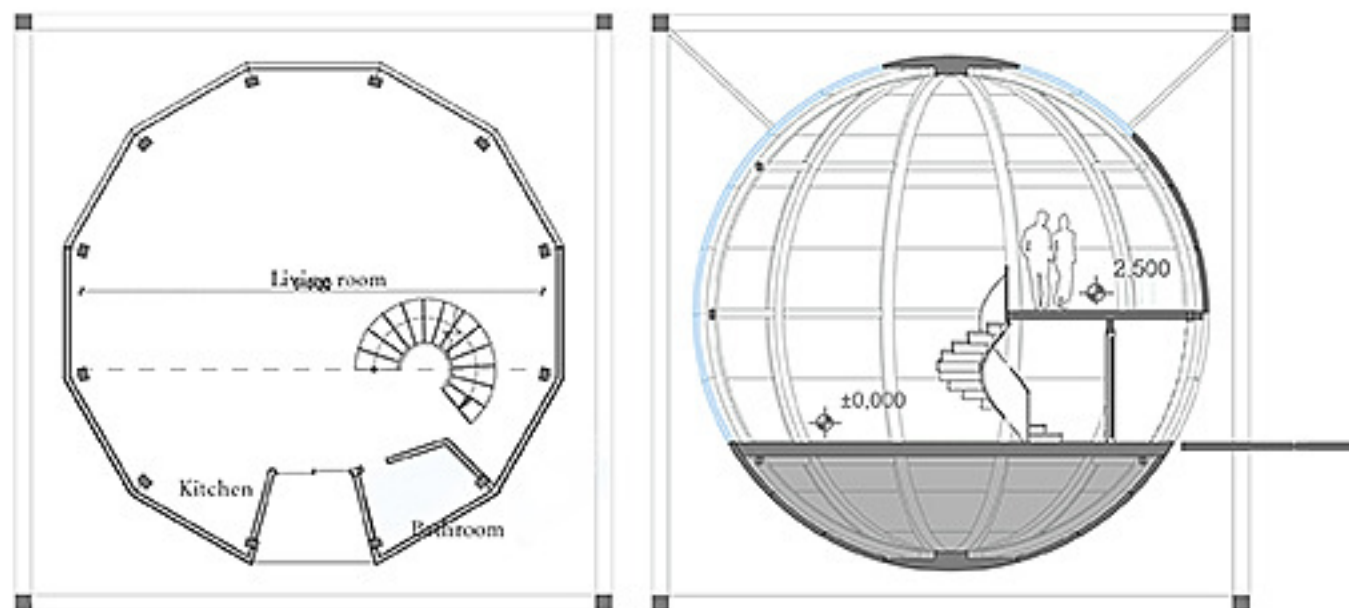


Back to Sources

Our research on the sources of the pure architecture bring us to the idea of traditional village. It is the unique place where in general are eliminated such factors as social hierarchy, desire for gaining peculiarities, which affect on primary qualities of architecture. The most valuable key points in folk architecture are the tectonics, meaningful use of materials, human scale, and exclusion of unnecessary.

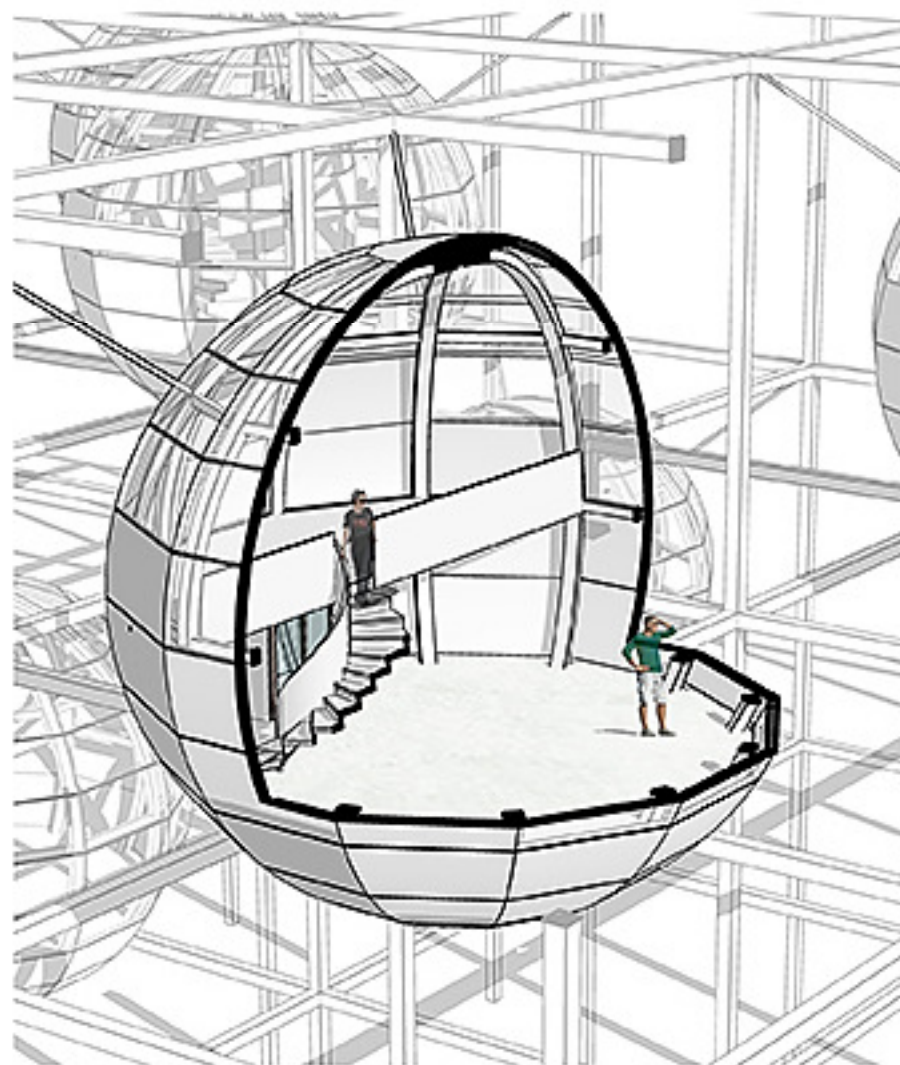
However, having a task to exclude the factor of site, we find something which unite folk architecture of all regions – it is the economy of energy (in terms of use of materials, labor etc). The shape mostly requires to this feature is a sphere, which has maximum capacity and minimum external surface. In the suggested project of the house is used a spherical shape with 9 meters in diameter divided with entresol into active and passive zones.

People are social beings, that is why there is a need to create social surrounding, as it is done in the villages, where the ensemble of individual houses are creating the atmosphere of a common place. That is why it is suggested to create a carcass, consisted from cubs (10x10x10 m), in each section of which the «sphere house» can be put.



Floor plan

Section



3D section



Construction process