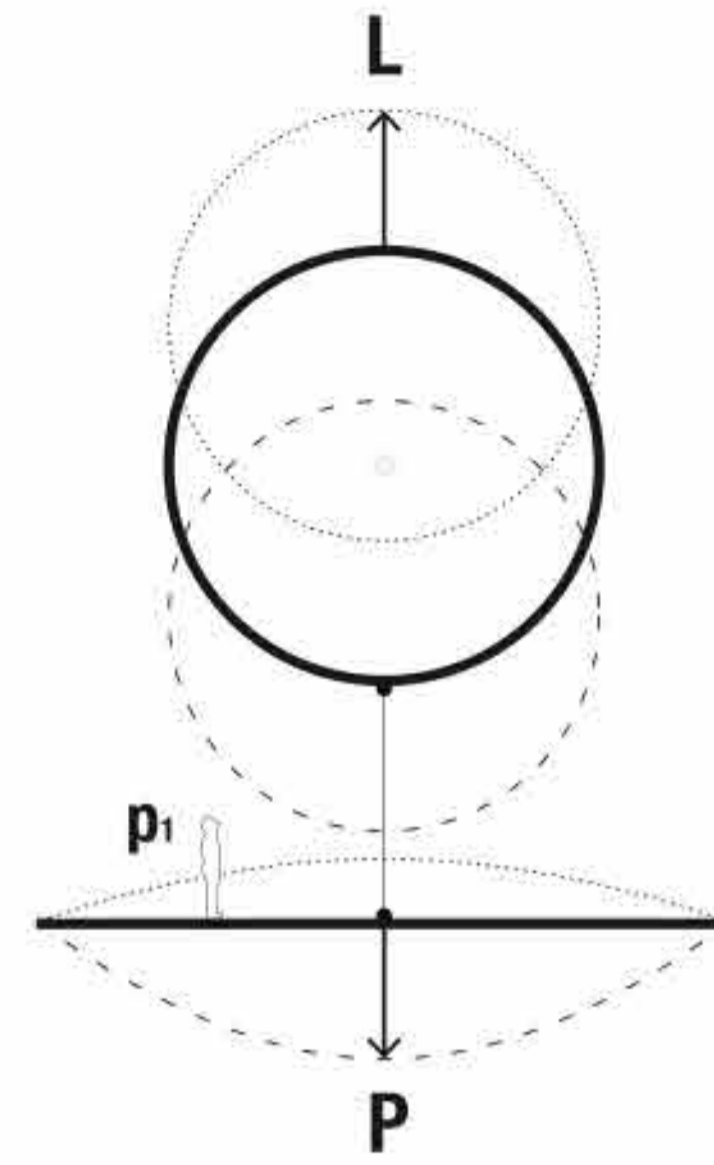
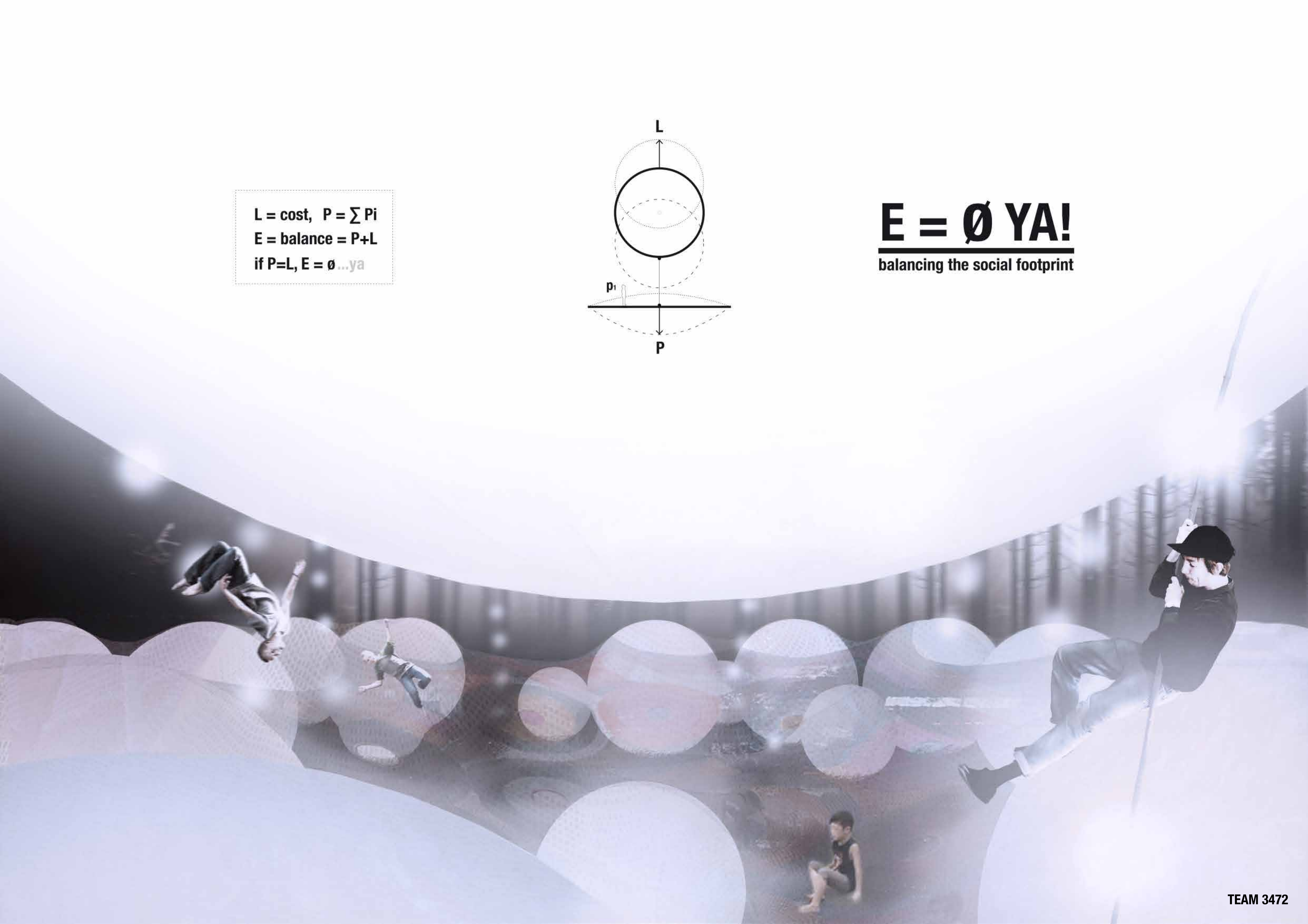
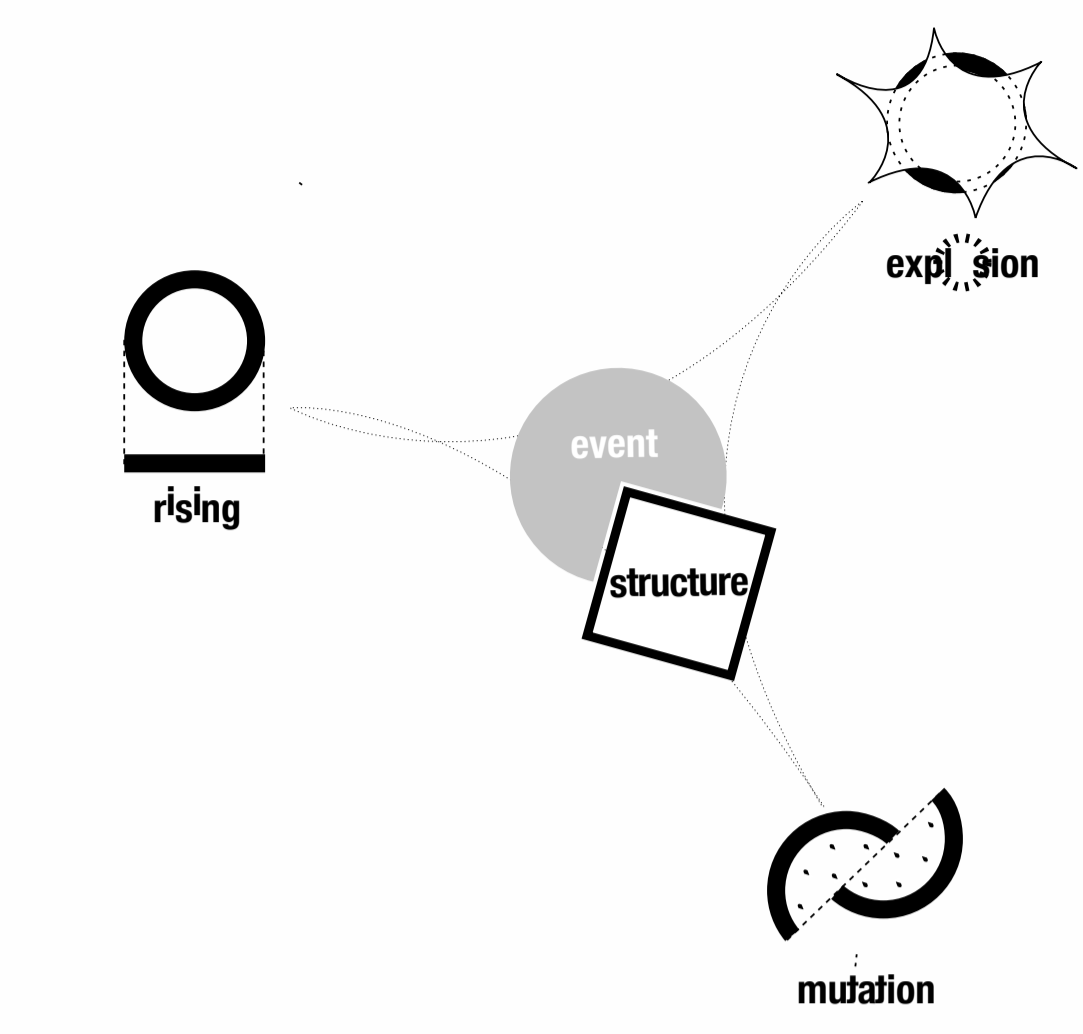
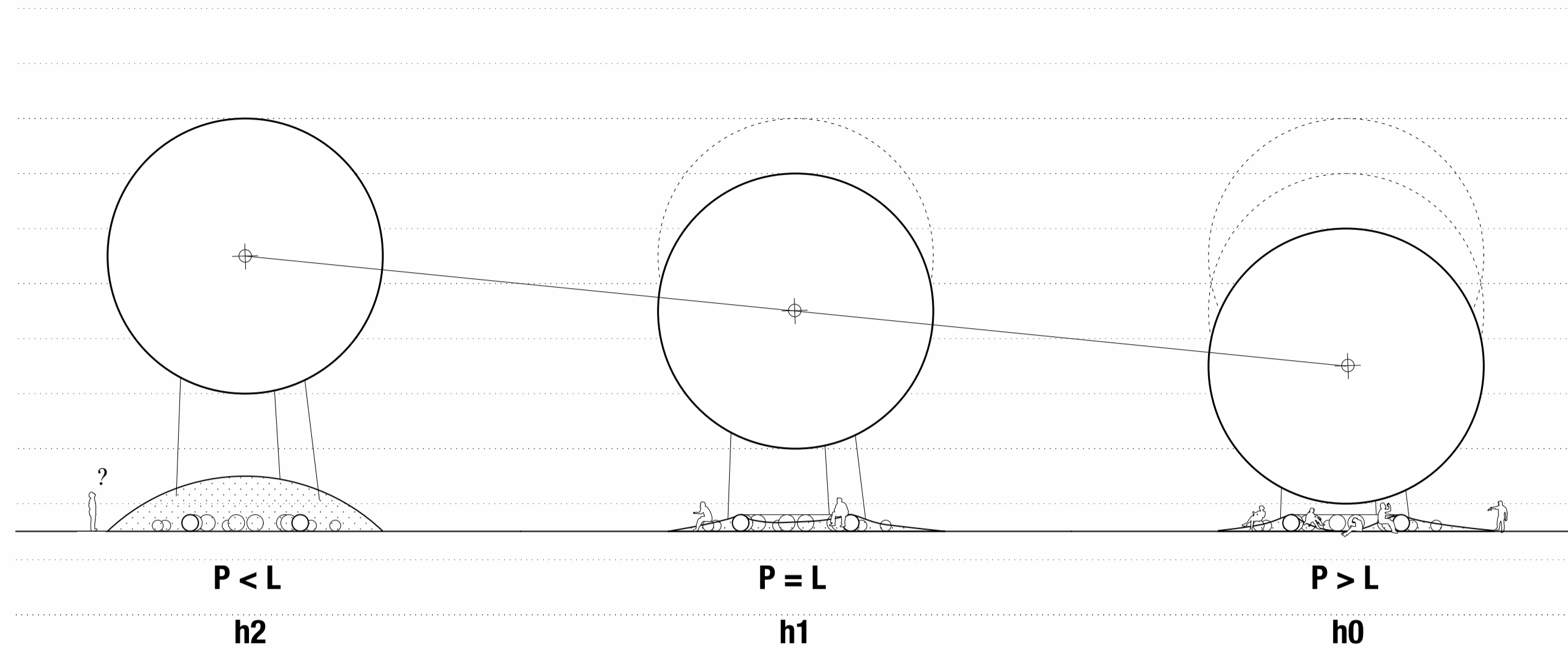
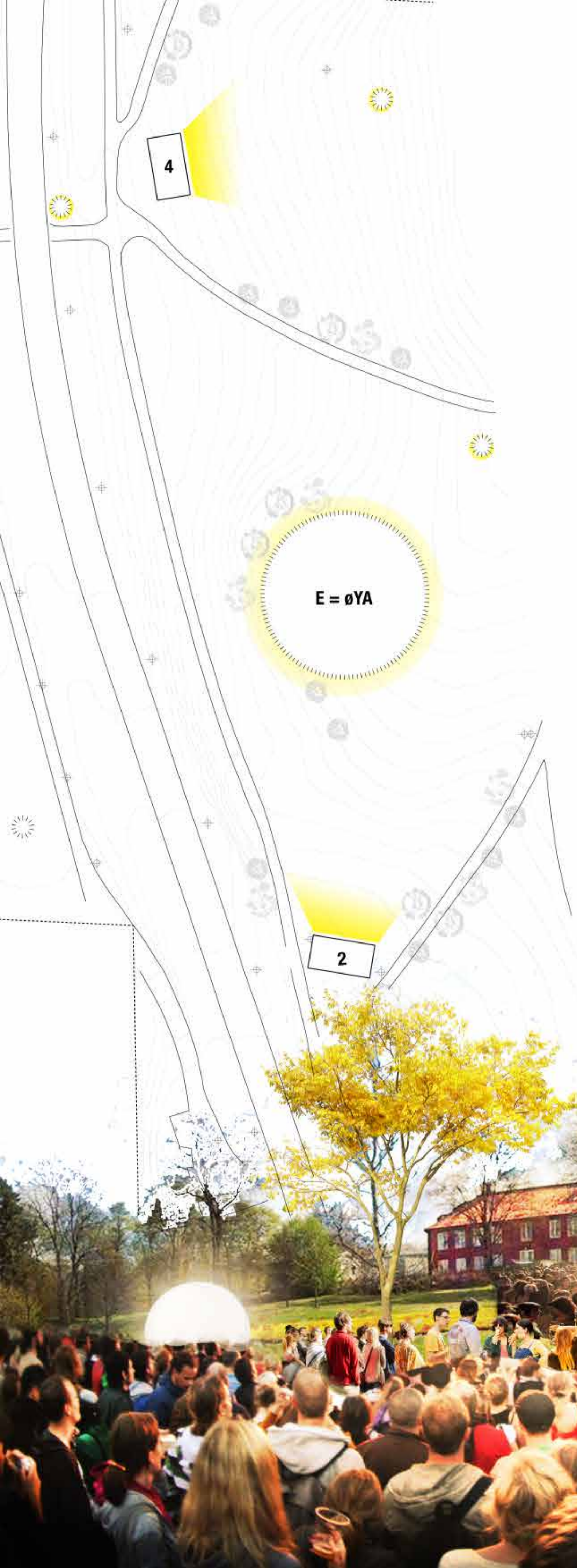


$L = \text{cost}, P = \sum P_i$
 $E = \text{balance} = P+L$
if $P=L, E = \emptyset \dots ya$



$E = \emptyset YA!$
balancing the social footprint





<< the event, clashing against the closed logic of structure, causes it to rise, mutate and explode >>
 (E.Morin in le retour de l'événement)

E = Ø YA!

balancing the social footprint

it's a matter of footprints as an impact,
 balanced efforts towards a common goal,
 and mostly in having fun doing so

